

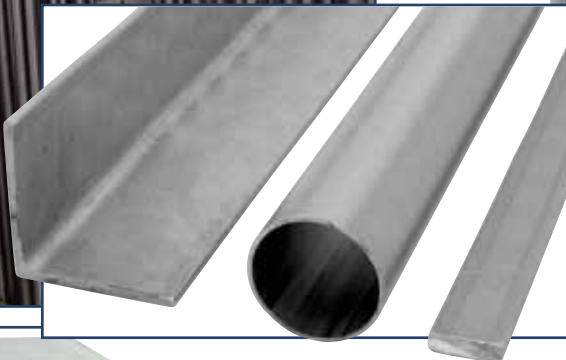
**PRODUCT
GUIDE**



**Metals, Materials, Fixings and Tools for
Engineering, Construction and Maintenance**

ESTABLISHED 1970

Stainless Steel & Aluminium



STAINLESS STEEL & ALUMINIUM

Avery Knight & Bowlers (AKB) stock a comprehensive range of Stainless Steel and Aluminium products many of which are mentioned below.

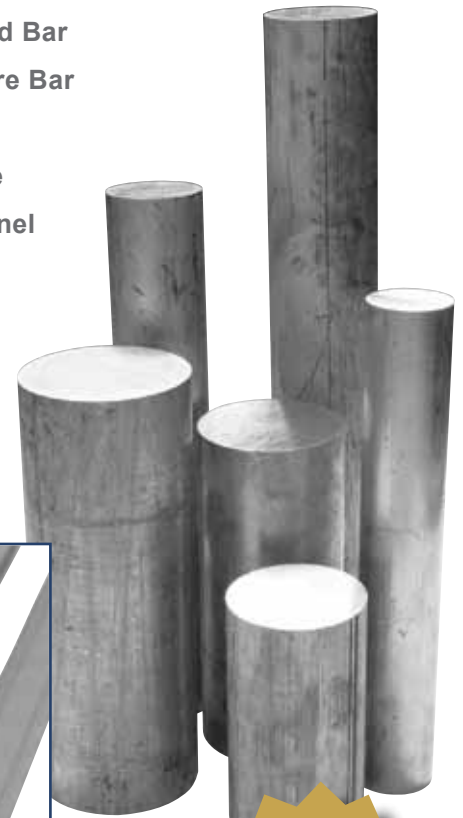
In addition to our range of standard products AKB can also obtain many customer specials on request.

Stainless Steel

- Round Bar
- Hexagonal Bar
- Square Bar & Flats
- Angle
- Tubes in Round, Square & Rectangular
- Sheet
- Plate
- Mesh

Aluminium

- Tubes in Round, Square & Rectangular
- Sheet & Treadplate
- Round Bar
- Square Bar
- Flat
- Angle
- Channel
- Tee
- Plate



**A FULL
CUTTING SERVICE
IS AVAILABLE**

BRASS & BRONZE

Our range of Brass & Bronze products has always been maintained over the years.

Our comprehensive stock of these products have enabled us to service both general engineering applications together with model makers, lighting, interior design, sign makers & architects.

Brass Products:

- Round Bar
- Hexagonal Bar
- Square Bar
- Flats
- Angles
- Tubes
- Piano hinge

Bronze Products:

- Round Bar
- Cored Bar

In addition to the above AKB are also able to supply:

- COPPER products in Bar, Sheet & Plate
- ENGINEERING PLASTICS in Bar, Sheet & Plate in most materials



**A FULL
CUTTING SERVICE
IS AVAILABLE**

Brass & Bronze

Black & Bright Mild Steel

BLACK STEEL

- Round Bar
- Square Bar
- Flat Bar
- Rectangular Hollow Section,
- Square Hollow Section,
- Circular Hollow Section
- ERW Tube Round, Square & Rectangular
- Angle
- Channel
- Beams & Columns
- Reinforcing Bar, Mesh, Spacers & Ties

BRIGHT STEEL

- 080A15 (EN3B) & 230M07 (EN1A)
Round, Flat & Square
- 080A42 (EN8) & 817M40 (EN24T)
Round

We also offer Silver Steel, Gauge Plate, Key Steel



A FULL
CUTTING SERVICE
IS AVAILABLE



SHEET & MESH

Our extensive range of Sheet & Mesh products can, in the majority of cases, can be cut to size.

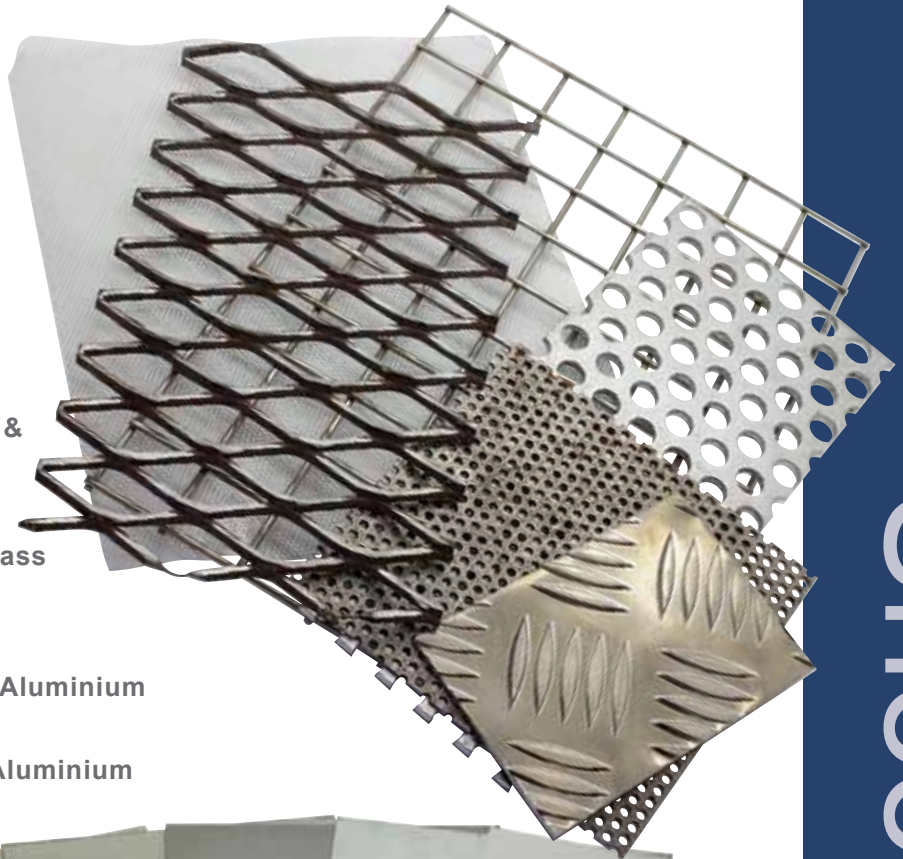
- Steel CR4
- Hot Rolled Sheet S275
- Galvanized
- Stainless Steel
- Aluminium Sheet & Treadplate
- Brass
- Copper
- Zinc

Mesh includes:

- Weld Mesh in Galvanized Steel & Stainless Steel
- Woven Wire Mesh
- Fly Mesh in Aluminium, Fibreglass & Stainless Steel

Also available:

- Perforated Sheet in Mild Steel, Aluminium & Stainless Steel
- Expanded Metal in Mild Steel, Aluminium & Stainless Steel



**A FULL
CUTTING SERVICE
IS AVAILABLE**

Sheet & Mesh



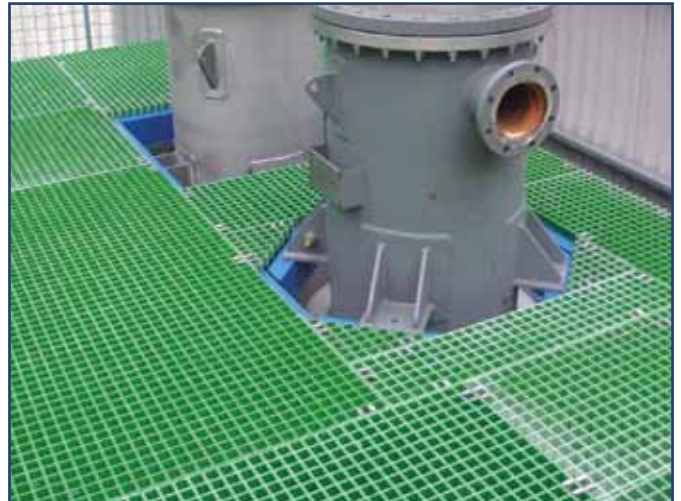
DECKING STRIPS

DeckGrip Strips are the quick and easy solution to dealing with the slip issues associated with standard timber decking. The strips can be installed over virtually any decking boards to provide an excellent slip resistant surface whilst still keeping the aesthetics of the timber boards.

MOULDED GRATING

GRP Moulded Grating is designed to provide the ultimate in reliable performance even in the most demanding conditions. This advanced grating system is a cost effective alternative to traditional materials, including steel, where corrosion resistance and long maintenance free life is required.

Our open mesh flooring comes with a slip resistant top surface as standard and easily exceeds the minimum requirements of the 'extremely low' potential for slip rating demanded by the UK Slip Resistant Group Guide of 2002.



FLAT SHEET

Whether you need to cover a large expanse or a small, or a potentially hazardous area, we have a GRP anti slip flat sheet for all applications.

GRP (or Glass Reinforced Plastic - Fibreglass) is made by pultrusion through a steel die as opposed to the hand lay-up method, meaning it is extremely durable and long lasting.

HEAVY DUTY STAIR TREAD

The SlipGrip range of anti slip stair tread covers and landing covers meet the highest standard in both safety and durability. Ideal for industrial, commercial or public stairways and landings, the SlipGrip range can be applied to a variety of surfaces, including concrete, steel and wood on either new or worn out steps.



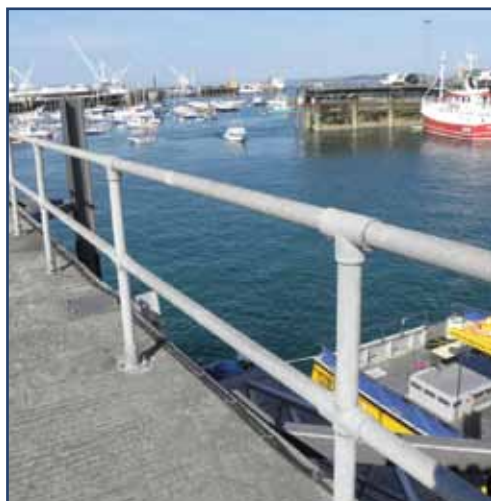
TUBECLAMPS

AKB are pleased to be a stockist of Tubeclamps products, a leading manufacturer of tubular fittings. Our range of galvanized tubeclamp fittings are used primarily to make handrail, but there are many other applications for tubular fittings.

They are easy to use and offer huge flexibility. Structures are easy to erect, no special tools are required, no onsite welding is needed and the range we offer copes with even the most difficult changes in direction and gradient.

We also stock a range of galvanized tube, to suit the 4 most popular sizes of handrail.

- Handrails
- Guardrails
- Display Systems
- Safety
- Playgrounds
- Storage Systems
- Retail



Tubeclamps

FASTENERS

AKB have always been known for their excellent range of Fasteners & Fixings both for commercial engineering purposes or construction & masonry.

In the majority of cases we can offer split boxes to suit your requirements.

We stock a very large range of products in various materials such as Stainless Steel, Steel Self Colour, BZP or Brass.

Include:

- Hex Bolts & Setscrews
- Socket Screws
- Self Tapping Screws
- Woodscrews
- Machine Screws
- Carriage Bolts
- Coach Screws
- Studding
- Nuts (various forms)
- Washers (various forms)
- Blind Rivets
- Metal Anchors
- Chemical Fixings
- Self Drilling Screws
- Masonry Screws
- Security Screws
- Nails
- Galvanized Wire Rope & Fittings



FISCHER

Fischer products are one of the market leaders for the construction trade. The range of products cover chemical systems through to plastic plugs.

Whether for heavy duty anchorings for various construction projects or for wall and cavity plugs for DIY, plus an extensive range of polyester resins and hand and gun foams.



RAWLPLUG

We are pleased to promote Rawlplug products, another leading manufacturer of specialist anchoring and fixing systems.

We stock a variety of Rawlplug Anchors, and also have access to Rawlplugs extensive range of products.



MASONRY

AKB have always been known for their excellent range of Masonry products. We regularly supply not only locally but also all over the UK on a regular basis.

Our range includes:

- TCT Chisels
- Firesharp Chisels
- Gouges
- Raking Chisels
- English Drags
- French Drags
- Steel Dummies
- Nylon Mallets
- Lewis Pins
- Scutch/Clawbits & Holders
- Diamond Sharpening Pads
- Masonry Saws
- Masonry Starter Kits
- Masonry Drills
- SDS Drills
- Rubbing Blocks
- Diamond Cutting Discs



RUST-OLEUM®

RUST-OLEUM® products are aimed at professional users and consumers with a strong focus on maintenance and renovation from aerosols producing instant results to advanced coating systems.

Every RUST-OLEUM® product is designed to make your job easier and should therefore meet at least one of the following requirements:

- Less time spent on pre-treatment
- Less time spent on application
- Lasts for longer

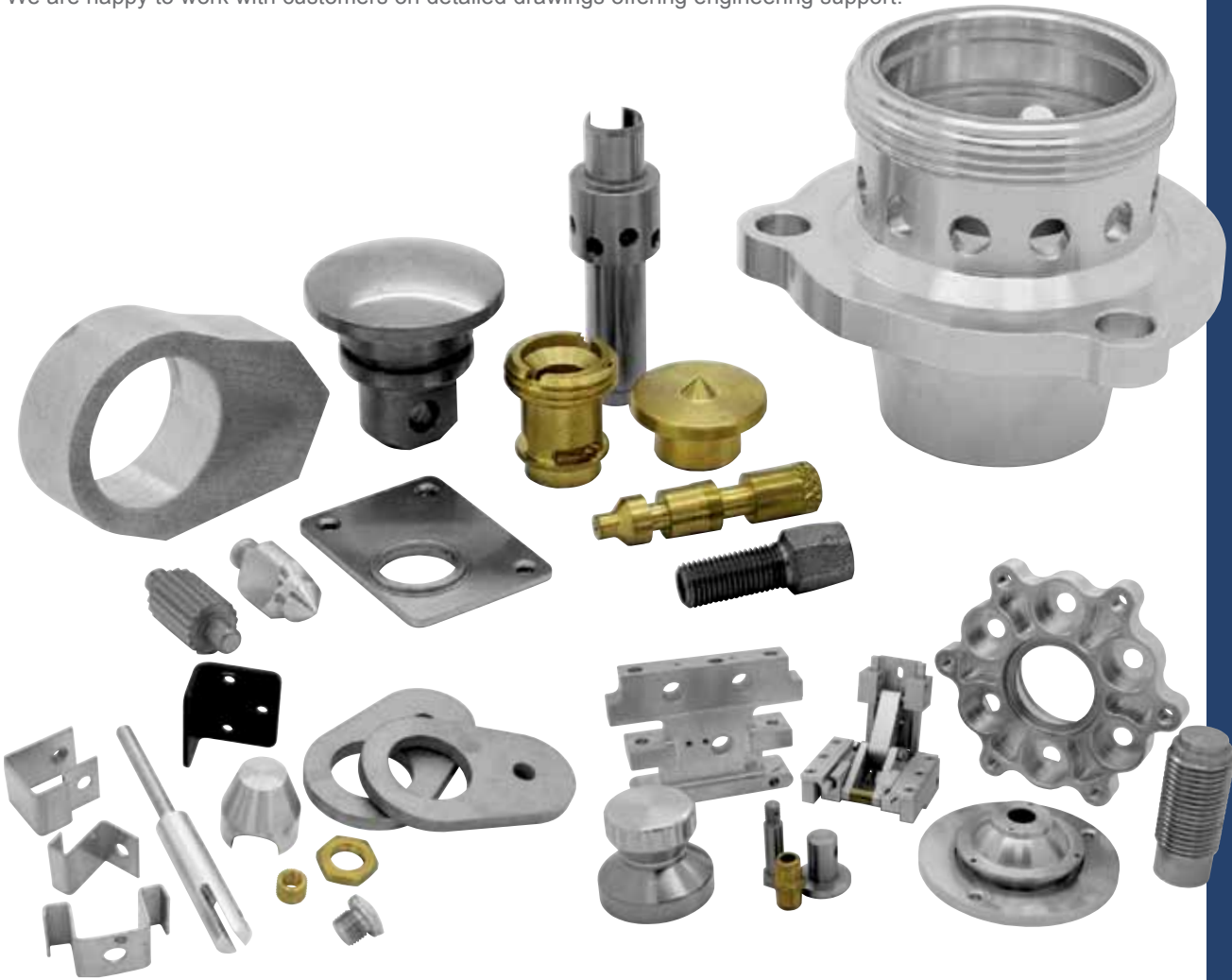


MACHINING

Machined parts in large or small batch quantities including one offs.

Within the group we have CNC Multi Axis Mill/Turn machines, some with integrated bar loaders and also CNC Milling incorporating the latest 5 Axis Technology.

We are happy to work with customers on detailed drawings offering engineering support.



FABRICATION

Over the years AKB has established itself as a reliable supplier of fabricated parts whether it be Steel, Non Ferrous or Plastics in various shapes & forms.

We often work with customers on detailed drawings and also provide visits to measure up and discuss the clients needs.

Services available are:

- Metal or Plastic Bending
- Drilling
- Welding
- Saw Cutting
- Guillotining/Shearing
- Laser Profiling
- Water Jet Profiling
- Plasma Cutting
- RSJ/Beam Fabrication
- Reinforcement Schedules

Finishing such as:

- Polishing
- Powder Coating
- Anodising
- Galvanizing



Machining & Fabrication



Avery Knight was founded in the city of Bath in 1972 specialising in Tools and Fixings for the Building and Allied trades.

Bowlers Engineering Supplies Ltd. began trading in 1970, re-establishing the business of a very old and respected Company that traded in Corn Street, Bath.

Early in 1982 came the opportunity to expand further by amalgamation with Bowlers Engineering Supplies Ltd., with Avery Knight moving to the larger premises at James Street West, Bath.



SHOP OPEN MONDAY TO FRIDAY & SATURDAY 8.00am to 11.50am

IF WE STOCK IT - WE CUT IT!

AKB are part of the Atkinson Group of Companies and Divisions incorporating:

Atkinson Equipment

Atkinson Engineering

Fueldump

Taylor Davis

Graham Tyson

Sema Sprayers

Avery Knight & Bowlers Engineering Limited

33-35 James Street West, Bath BA1 2BT

**Telephone: 01225 425894 Facsimile: 01225 445753
sales@averyknight.co.uk www.averyknight.co.uk**